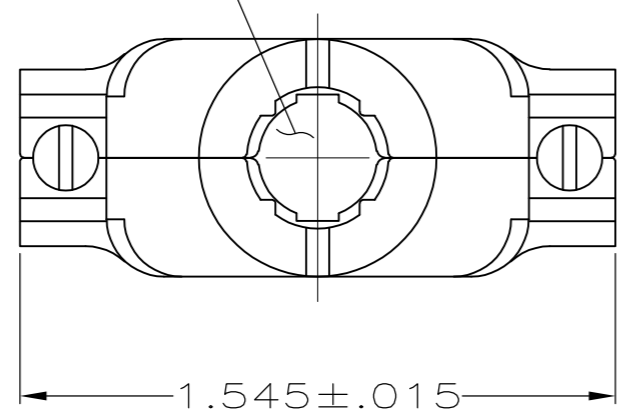


THIS DRAWING IS UNPUBLISHED. RELEASED FOR PUBLICATION
 © COPYRIGHT - By - ALL RIGHTS RESERVED.

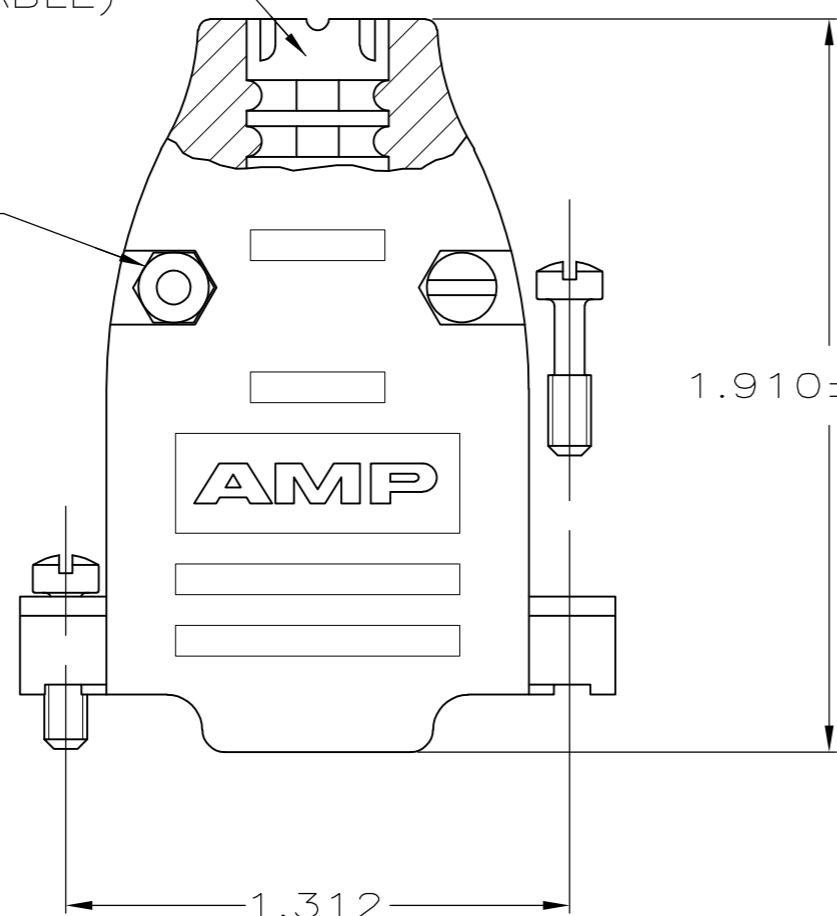
LOC	DIST	REVISIONS					
GP	00	P	LTR	DESCRIPTION	DATE	DWN	APVD
		P		REVISED PER ECO-11-004835	11MAR11	RK	HMR

OPENING FOR CABLE
 (SEE DASH NO FOR DIA)



SIZE IDENTIFICATION
 LETTER MOLDED HERE
 (SEE TABLE)

#4-40 FILLISTER HEAD
 STEEL SCREW
 & HEX NUT
 2 REQD.

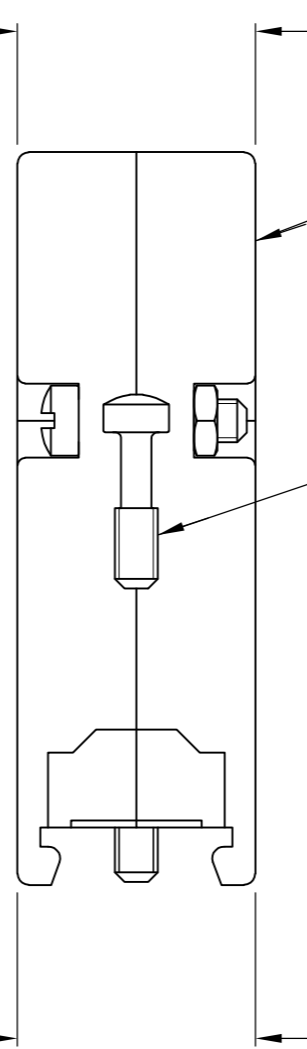


.620 ± .015

.620 ± .015

CABLE CLAMP
 MATERIAL: FLAME RETARDANT THERMOPLASTIC
 FINISH: BRIGHT NICKEL OVER BRIGHT COPPER

#4-40 FILLISTER HEAD SCREW
 STEEL
 2 REQD.



1. ALL PARTS PACKAGED UNASSEMBLED.
2. THIS KIT CONSISTS OF 2 STRAIN RELIEF HALVES, 2 #4-40 SCREWS, 2 #4-40 NUTS & 2 #4-40 MOUNTING SCREWS.

ZINC PLATED .000200-.000400 THICK,
 CLEAR CHROMATE COATING.

**COPYRIGHT 2005
 TE CONNECTIVITY CORP
 ALL RIGHTS RESERVED**

B	.225	5747099-7
E	.300	5747099-5
H	.375	5747099-3
K	.430	5747099-1
SIZE IDENT LETTER	CABLE DIA	PART NO.

THIS DRAWING IS A CONTROLLED DOCUMENT.		DWN	D. HENNY	8-15-05
DIMENSIONS: INCHES		CHK	C. ROHDE	8-15-05
TOLERANCES UNLESS OTHERWISE SPECIFIED:		APVD	M. WALMSLEY	8-15-05
0 PLC ± -		PRODUCT SPEC	NAME	
1 PLC ± -		APPLICATION SPEC	CABLE CLAMP KIT, SIZE 2, 15 POSITION, 180 DEG, AMPLIMITE SERIES, PLATED PLASTIC	
2 PLC ± -		WEIGHT	SIZE	
3 PLC ± .005		CUSTOMER DRAWING	CAGE CODE	
4 PLC ± -		SCALE	DRAWING NO	
ANGLES ± -		1:1	A2 00779 C=5747099	
MATERIAL SEE CALLOUTS		SHEET	RESTRICTED TO	
FINISH SEE CALLOUTS		1 OF 1	-	
		REV	P	

5747099